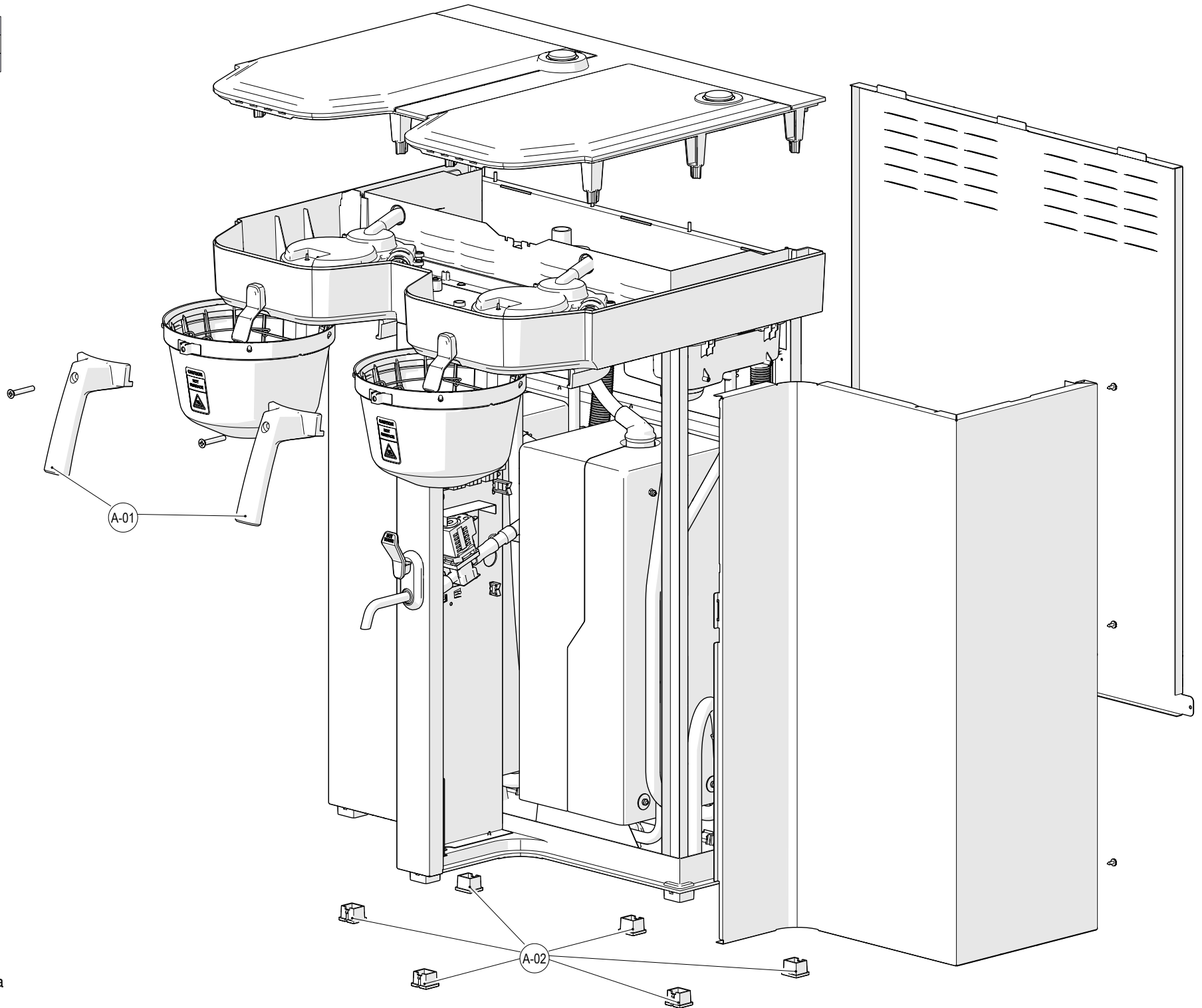
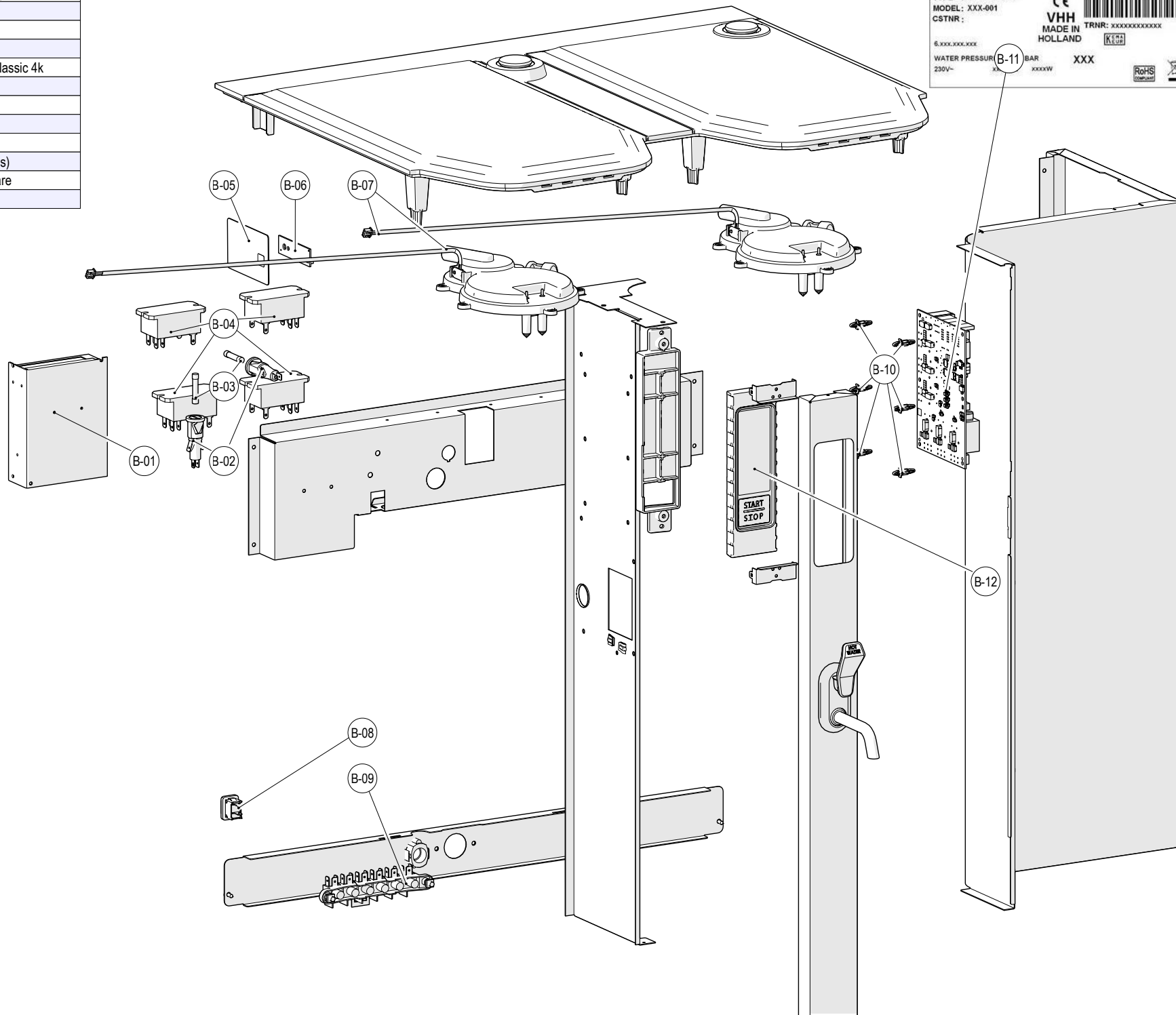


ID	Service parts	S-RS	Description
A-01	6.233.101.001	DT	Handle
A-02	6.401.004.001	S	Insert foot (1 pc)

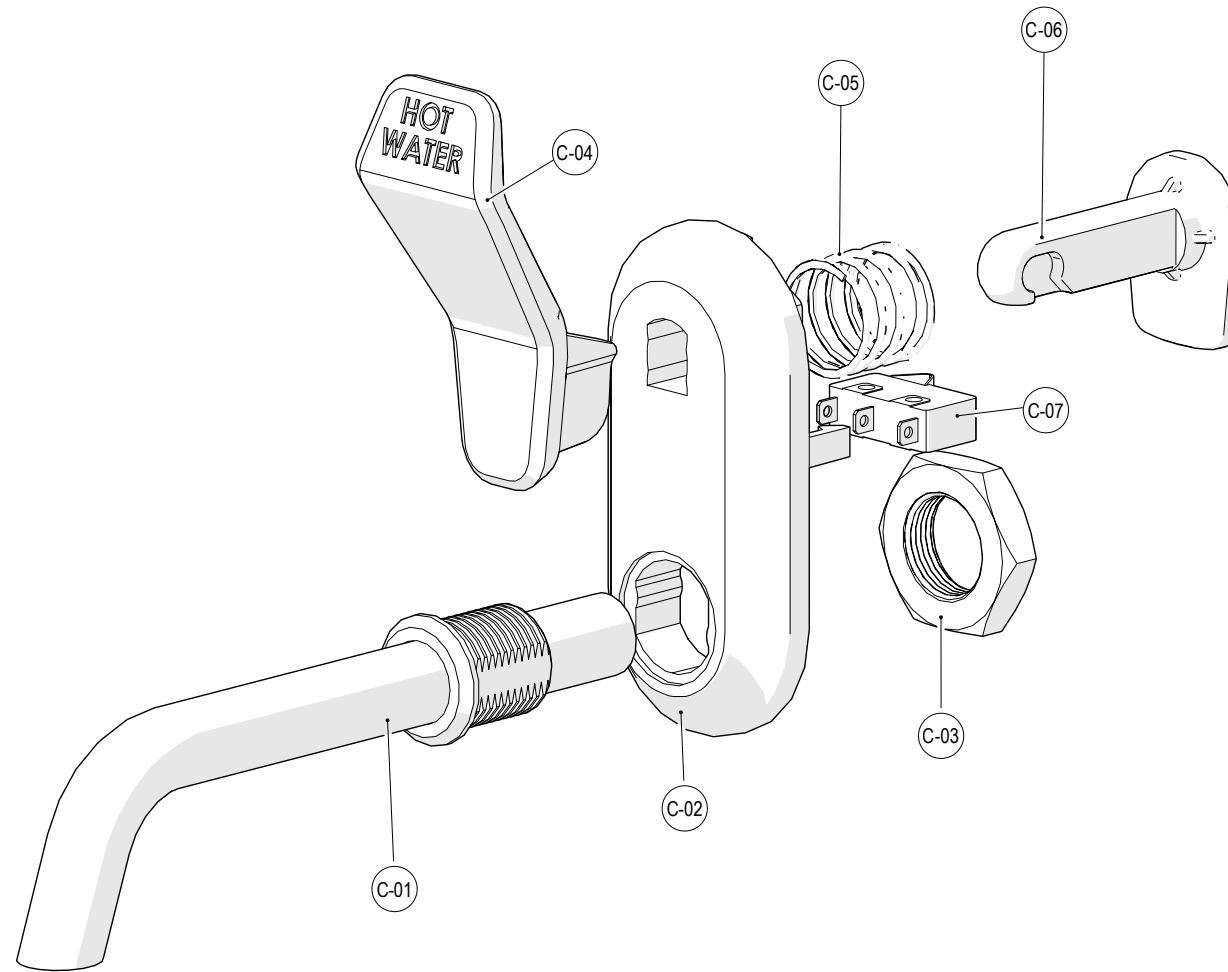


ID	Service parts	S-RS	Description
B-01	6.004.011.112	RS	Switching power sup100-240/24V
B-02	6.005.012.008	S	Fuse holder 2 parts
B-03	6.005.011.016	S	Fuse 4A (10 pcs)
B-04	6.004.002.093	RS	Relay
B-05	6.233.103.001	S	RFID card Mifare Classic 4k
B-06	6.233.077.000	RS	Print RFID
B-07	6.030.079.007	S	Sensor
B-08	6.004.001.089	RS	Switch
B-09	6.002.019.162	S	Connection clamp
B-10	6.014.014.202	S	Distance block (6pcs)
B-11	6.xxx.xxx.xxx	RS	Mainboard + software
B-12	6.000.233.018	RS	Display complete

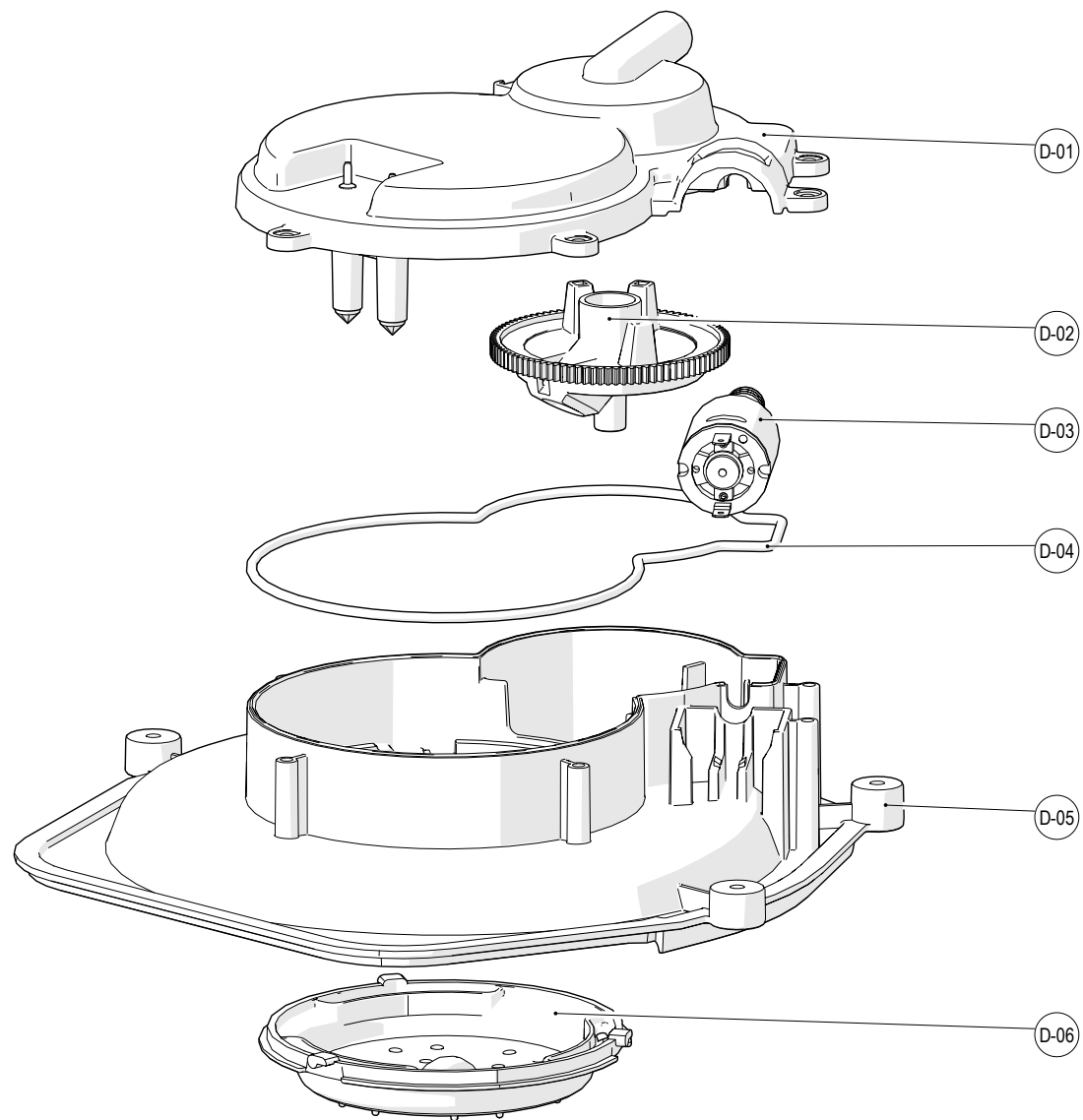


TYPE : 8.xxxx.xxxx.xxxx  
 MODEL: XXX-001  
 CSTNR :  
 6.xxxx.xxxx.xxxx  
 WATER PRESSUR (B-11) BAR XXX  
 230V~  
 CE  
 VHH  
 MADE IN HOLLAND  
 RoHS  
 XXX

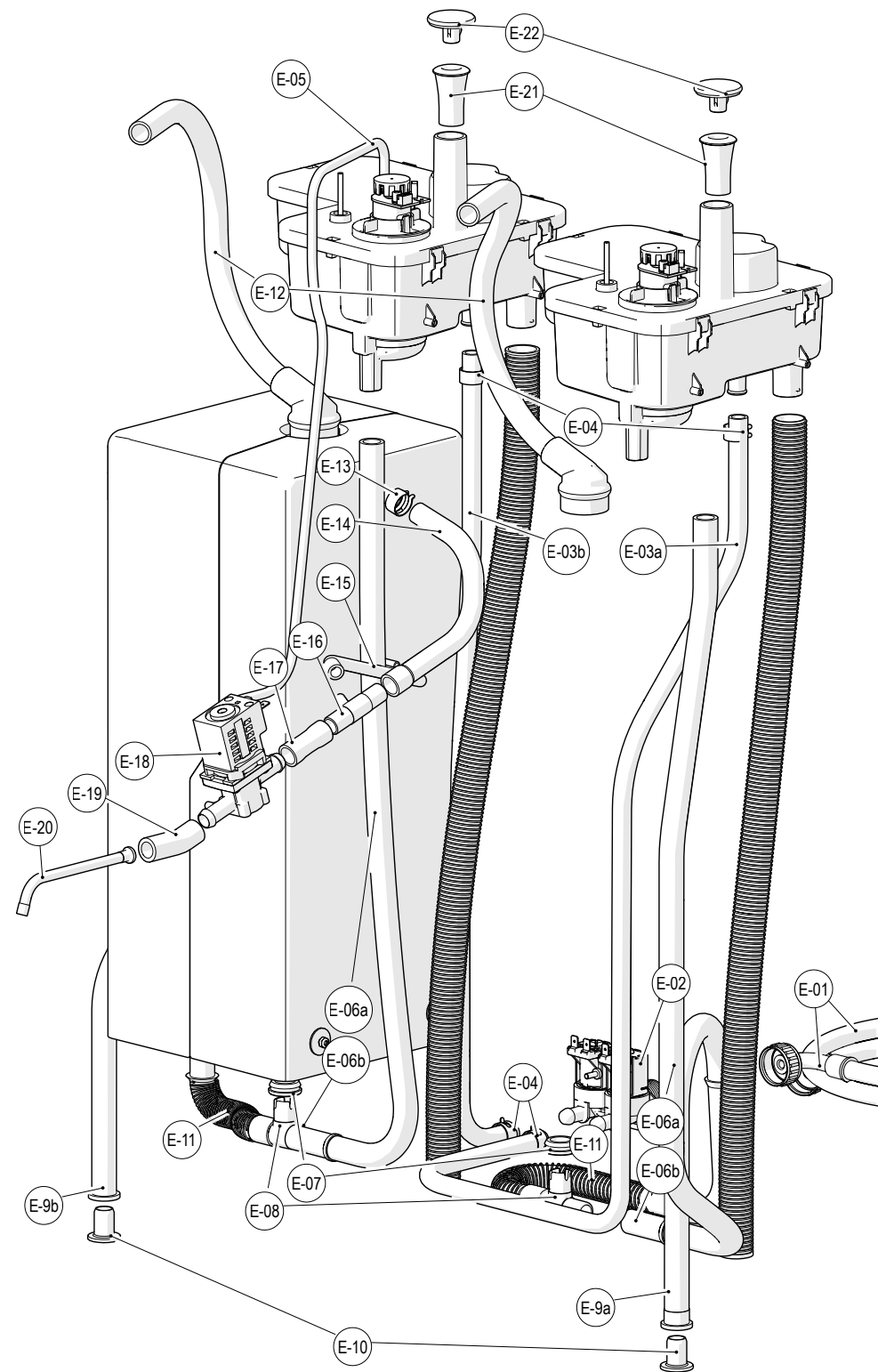
ID	Service parts	S-RS	English
C-01	6.233.029.000	S	Hot water outlet
C-02	6.233.027.001	S	Protection cover
C-03	6.331.023.001	DT	Nut M16X1
C-04	6.233.028.001	S	Handle red
C-05	6.233.031.001	S	Spring
C-06	6.233.030.001	S	Axle
C-07	6.233.032.000	RS	Switch complete



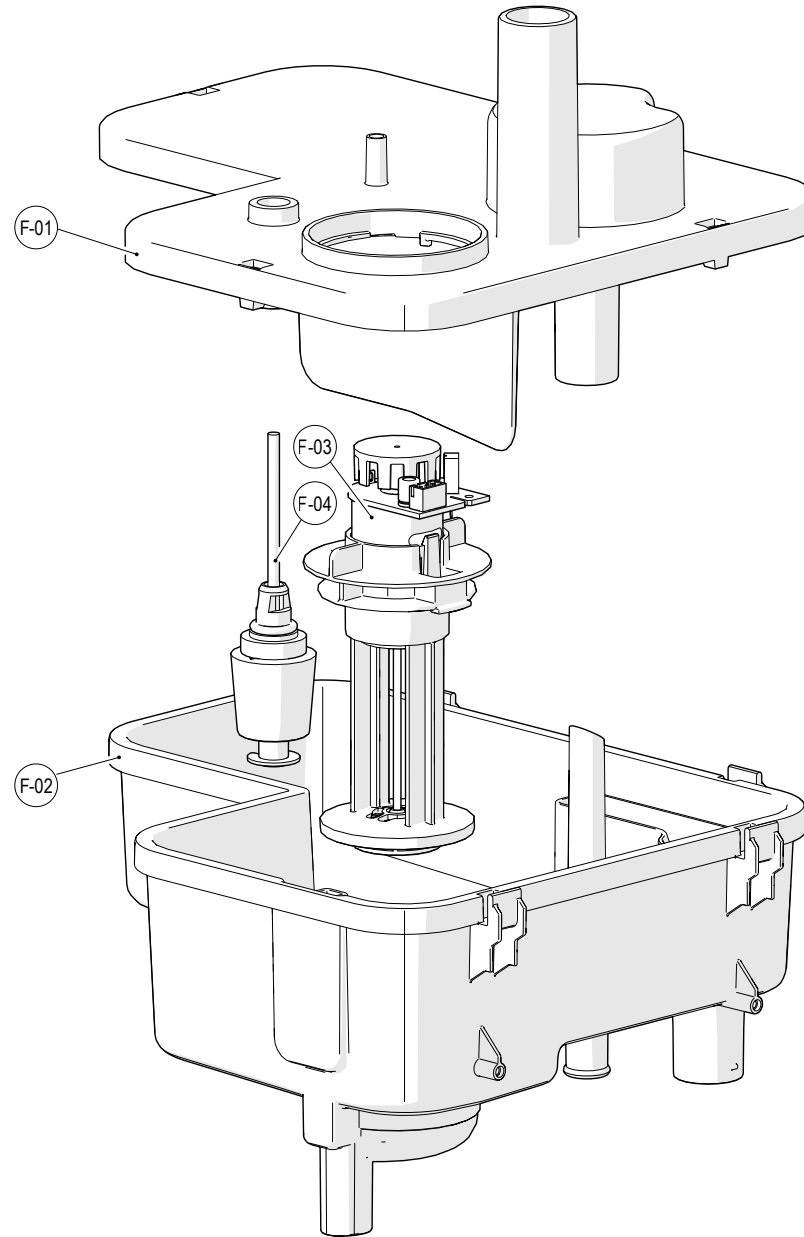
ID	Service parts	S-RS	English
D-01	6.233.017.000	S	Lid sprayhead
D-02	6.233.037.000	S	Water selector (assy)
D-03	6.000.233.006	RS	Motor water selector
D-04	6.233.091.001	S	O-ring 153x3 VMQ 20°Sh.A
D-05	6.233.039.001	S	Spraying tank
D-06	6.233.058.001	S	Spraying head



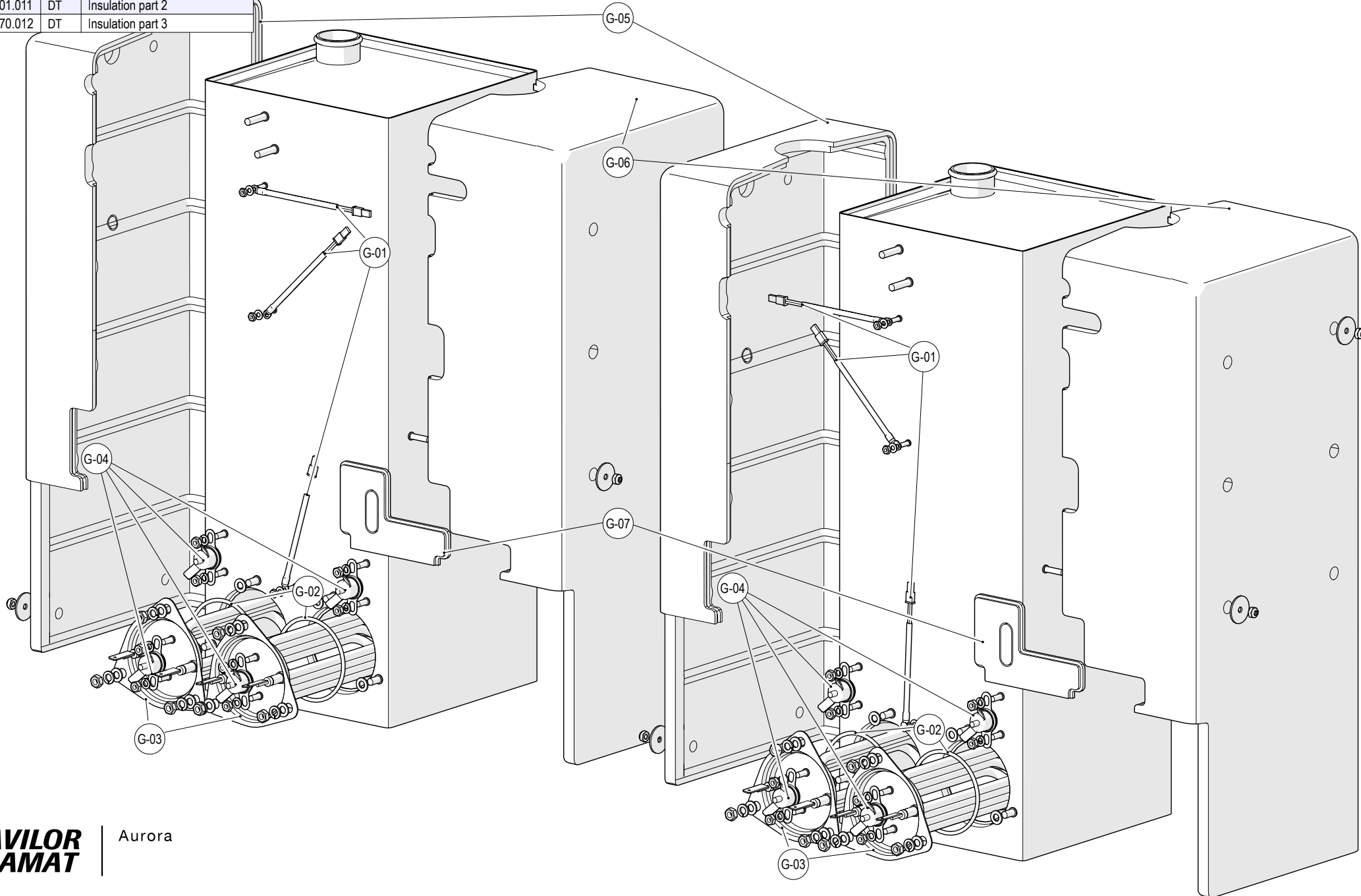
ID	Service parts	S-RS	Description	mm
E-01	6.000.205.111	S	Connection hose	
E-02	6.016.001.121	RS	Magnetic valve 5+5l/min	
E-03a	6.019.033.014	S	Silicone tube 15.5 x 9.5	940
E-03b	6.019.033.014	S	Silicone tube 15.5 x 9.5	670
E-04	6.001.079.003	S	Tube clamp 15.6 mm	
E-05	6.019.033.009	S	Silicone tube 7 x 4	585
E-06a	6.019.033.024	S	Silicone tube 13.5 x 3.0	680
E-06b	6.019.033.024	S	Silicone tube 13.5 x 3.0	40
E-07	6.231.191.001	S	Ring silicone	
E-08	6.231.551.001	S	Supply boiler	
E-9a	6.233.066.001	DT	Evacuation hose	728
E-9b	6.233.066.001	DT	Evacuation hose	490
E-10	6.329.539.001	S	Plug	
E-11	6.263.117.001	S	Spring	
E-12	6.229.774.001	S	Tube	350
E-13	6.001.079.006	S	Tube clamp 19 mm	
E-14	6.019.033.013	S	Silicone tube 17,5 x 11,5	195
E-15	6.019.033.025	S	Silicone tube 5.0 x 2,0	150
E-16	6.267.307.001	S	Y-piece	
E-17	6.019.033.013	S	Silicone tube 17,5 x 11,5	50
E-18	6.016.001.120	RS	Magnetic valve 24V DC 12W	
E-19	6.019.033.014	S	Silicone tube 15.5 x 9.5	50
E-20	6.233.100.001	S	Insert piece	
E-21	6.329.522.001	DT	Fill tube	
E-22	6.402.010.001	S	Descaling plug	



ID	Service parts	S-RS	English
F-01	6.263.168.001	S	Lid float tank
F-02	6.263.167.001	S	Float tank
F-03	6.000.233.009	RS	Pump 4000 rpm
F-04	6.229.891.001	S	Float



ID	Service parts	S-RS	English
G-01	6.233.069.000	RS	Temperature sensor
G-02	6.011.001.155	S	O-ring
G-03	6.233.107.000	RS	Element 230V 1450W complete
G-04	6.016.008.064	RS	High temperature safety switch
G-05	6.233.001.010	DT	Insulation part 1
G-06	6.233.001.011	DT	Insulation part 2
G-07	6.329.370.012	DT	Insulation part 3



ID	Service parts	S-RS	English
G-01	6.233.069.000	RS	Temperature sensor
G-02	6.011.001.155	S	O-ring
G-03	6.233.107.000	RS	Element 240V 2922W complete
G-04	6.016.008.064	RS	High temperature safety switch
G-05	6.233.001.010	DT	Isolation part 1
G-06	6.233.001.011	DT	Isolation part 2

